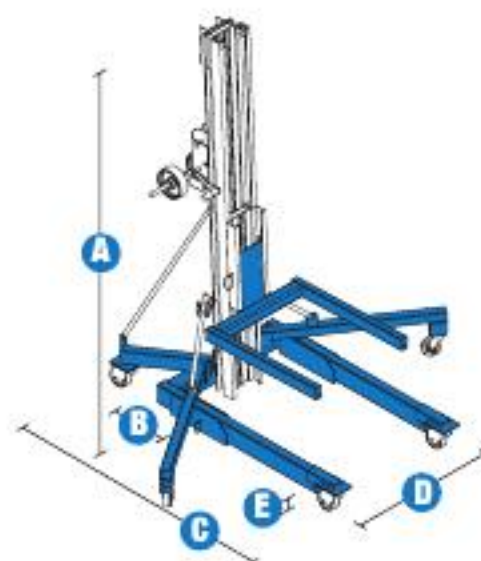


Specifications



MODELS	SLA™-5		SLA™-10		SLA™-15		SLA™-20		SLA™-25	
MEASUREMENTS	Metric	US	Metric	US	Metric	US	Metric	US	Metric	US
Working height:										
standard forks - up	2.0 m	6 ft 7 in	3.49 m	11 ft 5.5 in	4.98 m	16 ft 4 in	6.46 m	21 ft 2.5 in	7.94 m	26 ft .5 in
standard forks - down	1.49 m	4 ft 10.5 in	2.97 m	9 ft 9 in	4.56 m	14 ft 7.5 in	5.9 m	19 ft 6 in	7.42 m	24 ft 4 in
adjustable forks - up	2.0 m	6 ft 7 in	3.49 m	11 ft 5.5 in	4.98 m	16 ft 4 in	6.46 m	21 ft 2.5 in	7.94 m	26 ft .5 in
adjustable forks - down	1.49 m	4 ft 10.5 in	2.97 m	9 ft 9 in	4.56 m	14 ft 7.5 in	5.94 m	19 ft 6 in	7.42 m	24 ft 4 in
flat forks	1.49 m	4 ft 10.5 in	2.97 m	9 ft 9 in	4.56 m	14 ft 7.5 in	—	—	—	—
boom***	1.79 m	5 ft 10.5 in	3.28 m	10 ft 9 in	4.76 m	15 ft 7.5 in	6.2 m	20 ft 6 in	7.42 m	24 ft 4 in
load platform** - forks up	2.0 m	6 ft 7 in	3.49 m	11 ft 5.5 in	4.98 m	16 ft 4 in	6.46 m	21 ft 2.5 in	7.94 m	26 ft .5 in
load platform** - forks down	1.49 m	4 ft 10.5 in	2.97 m	9 ft 9 in	4.56 m	14 ft 7.5 in	5.94 m	19 ft 6 in	7.42 m	24 ft 4 in
A Height - stowed	1.99 m	6 ft 6.5 in	1.99 m	6 ft 6.5 in	1.99 m	6 ft 6.5 in	1.99 m	6 ft 6.5 in	1.99 m	6 ft 6.5 in
B Length - stowed	74 cm	2 ft 5 in	74 cm	2 ft 5 in	74 cm	2 ft 5 in	74 cm	2 ft 5 in	74 cm	2 ft 5 in
C Length - operating	1.51 m	4 ft 11.5 in	1.51 m	4 ft 11.5 in	1.88 m	6 ft 2 in	2.08 m	6 ft 10 in	2.08 m	6 ft 10 in
D Width - stowed*	80 cm	2 ft 7.5 in	80 cm	2 ft 7.5 in	80 cm	2 ft 7.5 in	80 cm	2 ft 7.5 in	80 cm	2 ft 7.5 in
Width - straddle base*										
minimum	80 cm	2 ft 7.5 in	80 cm	2 ft 7.5 in	80 cm	2 ft 7.5 in	—	—	—	—
maximum	1.47 m	4 ft 10 in	1.47 m	4 ft 10 in	1.47 m	4 ft 10 in	—	—	—	—
maximum inside	1.27 m	4 ft 2 in	1.27 m	4 ft 2 in	1.27 m	4 ft 2 in	—	—	—	—
E Ground clearance - centre	5 cm	2 in	5 cm	2 in	5 cm	2 in	5 cm	2 in	5 cm	2 in
F Load height minimum	15 cm	6 in	15 cm	6 in	15 cm	6 in	15 cm	6 in	15 cm	6 in

PRODUCTIVITY

Load capacity:										
46 cm (18 in) load centre	454 kg	1,000 lbs	454 kg	1,000 lbs	363 kg	800 lbs	363 kg	800 lbs	295 kg	650 lbs
61 cm (24 in) load centre	454 kg	1,000 lbs	454 kg	1,000 lbs	363 kg	800 lbs	272 kg	600 lbs	204 kg	450 lbs
1.07 m (42 in) load centre	159 kg	350 lbs	181 kg	400 lbs	227 kg	500 lbs	159 kg	350 lbs	113 kg	250 lbs

POWER

Power source	One speed or two speed winch
--------------	------------------------------

WEIGHT

Standard	98 kg	215 lbs	118 kg	260 lbs	144 kg	317 lbs	184 kg	405 lbs	204 kg	450 lbs
Straddle base	117 kg	258 lbs	137 kg	303 lbs	163 kg	360 lbs	—	—	—	—

LOAD HANDLING ATTACHMENTS

MEASUREMENTS	Metric	US	Weight - Metric	Weight - US
Standard forks (l/w/d)	70/60/6 cm	27.5/23.5/2.5 in	17 kg	38 lbs
Adjustable forks (l/w/d)	70/29-76/6 cm	27.5/11.5-30/2.5 in	24 kg	52.5 lbs
Fork extensions (each) (l/w/d)	76/5/8 cm	30/2/3 in	2 kg	4.5 lbs
Flat forks (l/w/d)	81/41-79/3.8 cm	32/16-31/1.5 in	33 kg	73 lbs
Boom (l/w/d)	46-107/4/16.5 cm	18-42/1.5/6.5 in	16 kg	34.5 lbs
Pipe cradle**** (l/w/d)	70/62/15.2 cm	27.5/24.5/6 in	4.5 kg	10 lbs
Load platform (l/w/d)	70/60/6 cm	27.5/23.5/2.5 in	12 kg	26.5 lbs

* Outside dimensions
 ** For use with standard and adjustable forks only
 *** Measured from ground to bottom of shackle
 **** Handles round objects up to 76 cm (30 in) in diameter